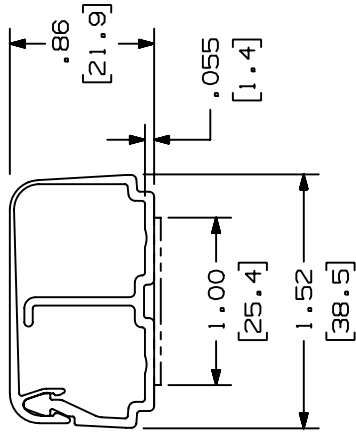
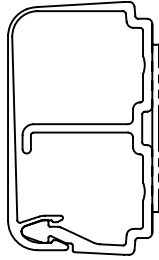


THIS COPY IS PROVIDED ON A RESTRICTED BASIS AND IS NOT TO BE USED IN ANY WAY DETRIMENTAL TO THE INTERESTS OF PANDUIT CORP.

**A**



**D**



ADHESIVE BACK PRESSURE SENSITIVE FOAM TAPE .040 (1.0) THICK WITH PROTECTIVE LINER

PART NAME	PANDUIT PART NO. (** SEE NOTE 1)	LENGTH IN. (MM)	STATIC LOAD (SEE NOTE 2)	APPROXIMATE WEIGHT
DIVIDED CHANNEL POWER LATCHING DUCT	LD2P10**8-A	96.00 ±.18 (2438.4 ±4.6)	.61 LB/IN (10.9 g/mm)	.159 LB/FT (.24 g/mm)
	LD2P10**10-A	120.00 ±.18 (3048.0 ±4.6)		
	LD2P10**2-A	78.74 ±.18 (2000.0 ±4.6)		

**F**

**C**

- NOTES:**
- A** 1. SEE CURRENT CATALOG FOR ADDITIONAL PART NUMBER SUFFIXES TO INDICATE COLORS AND OR PACKAGE QUANTITY. PART IS DESIGNED TO SUPPORT MAXIMUM WEIGHT ON A CLEAN, DRY, SMOOTH SURFACE.
  - B** 2. ON A CLEAN, DRY, SMOOTH SURFACE.
  - C** 3. TO APPLY PART:
  - D** a. REMOVE PROTECTIVE LINER.
  - E** b. PLACE PART IN DESIRED LOCATION.
  - F** c. APPLY PRESSURE TO FLAT SURFACE OF PART.
  - G** 4. DIMENSIONS IN PARENTHESES ARE IN METRIC.
  - H** 5. ALLOWS THE ROUTING OF POWER AND COMMUNICATIONS CABLING IN A SMALL RACEWAY.
  - I** 6. NO WARRANTY, EXPRESSED OR IMPLIED, IS MADE BY PANDUIT WITH RESPECT TO ADHESIVE BOND PERFORMANCE. THE CONDITIONS UNDER WHICH THESE RACEWAYS MAY BE APPLIED AND/OR THE SURFACE TO WHICH THEY MAY BE APPLIED ARE BEYOND PANDUIT'S CONTROL.

CAD FILE NAME/LAYERS

**E** D35541DM\_DC\_LD2P10\_03B.PRT (1)

**PANDUIT**

CORP. TINLEY PARK, ILLINOIS

DIVIDED CHANNEL POWER LATCHING DUCT (LD2P10) CUSTOMER DRAWING

UNLESS OTHERWISE SPECIFIED, DIMENSIONAL TOLERANCES ARE:  
 (.X) ± (.XXX) ±.010 (.4)  
 (.XX) ±.03 (.8) ANGLES ±

UNLESS OTHERWISE SPECIFIED, ALL DIMENSIONS ARE GIVEN IN INCHES, THIRD ANGLE PROJECTION.

SCALE	NONE
DRAWING NO.	35541-65
DWG SIZE	A

REV	DATE	BY	CHK	DESCRIPTION	ECN	CHK	CUST	SUP
4	03-08-04	JHEP	RGRO	F. REMOVED PART NUMBER LD2P10**3-A	35541-65	RGRO		
3	06-12-03	JBN	HIW	E. CAD FILE WAS D35541DM_TH_DW_LD10_02 D. REVISED TAPE WIDTH: WAS 1.25 [31.8]	35541-65	HIW	HIW	
2	05-21-98	RABO	HIW	C. ADDED 3M LENGTH	35541-65	HIW	HIW	
1	09-17-98	PM	HIW	B. REVISE NOTES A. REVISE CHART: REMOVE 72 IN. LENGTH	35541-65	HIW	HIW	
R	03-17-97	PM	CEF	RELEASED TO PRODUCTION	35541-65	CEF	CEF	

+

+